



Mecanum Wheel

Description

The 100mm Aluminum Mecanum Wheel Set (2 x Left, 2 x Right) includes 2 right wheels and 2 left wheels. Each wheel is composed of 9 rollers and can be driven independently. Mecanum wheels allow your robot to not only travel forward and backward, but also side to

side. With 4 mecanum wheels, you can build a car/robot that can move in all direction. Each wheel of this pack comes with a compatible mounting hub - 4mm shaft connector, hence it will mate with our encoder motor or stepper motor easily.

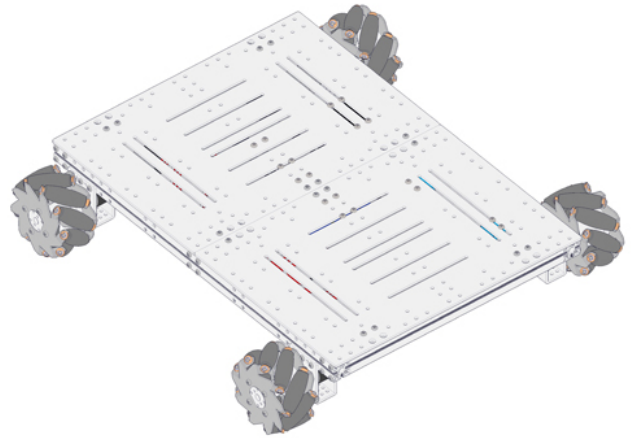
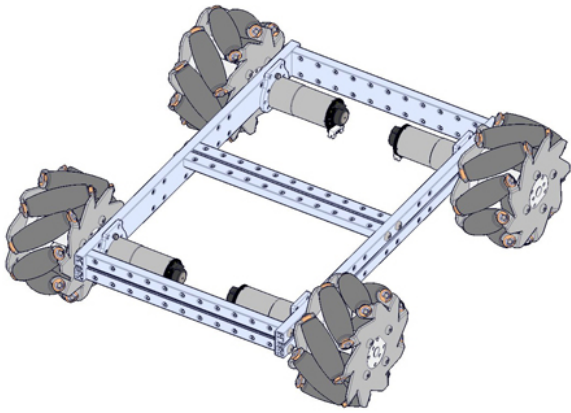
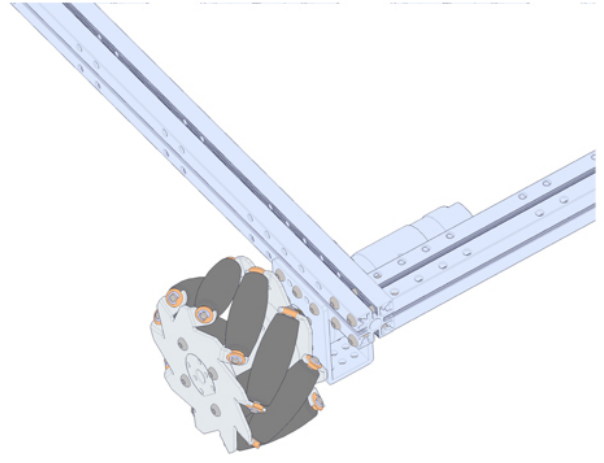
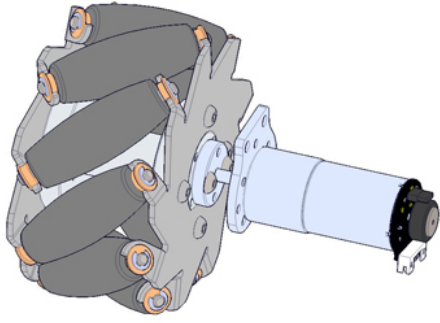
Features

- Mecanum wheels allow a robot to achieve omni-directional movement while supporting large weights;
- Complete set of mecanum wheels with 4mm shaft connector;
- Work with encoder motor or stepper motor
- Compatible with 4mm and 8mm motor shaft
- Cold rolled SPCC steel made, strong rigidity and high impact resistance;
- Easy to assemble.

Specifications

- SKU: 95067
- Product Name: 100mm Mecanum Wheel Set with 4mm Shaft Connector (SPCC)
- Gross Weight: 2150g (75.84oz)
- Diameter: 4 inches (100mm)
- Width: 52mm
- Rollers: 9 x Rubber Roller
- Plates: 2 x SPCC Plate
- Load Capacity: 30KG
- Package Content (Quantity x Part Name):
 - 2 x Right Mecanum Wheel
 - 2 x Left Mecanum Wheel
 - 4 x 4mm shaft connector
 - 8 x Screw M4 x 14mm
 - 8 x Headless Set Screw M3 x 5mm

Demo:



Size Chart:

