



Timing Pulley Slice 90T B

Description

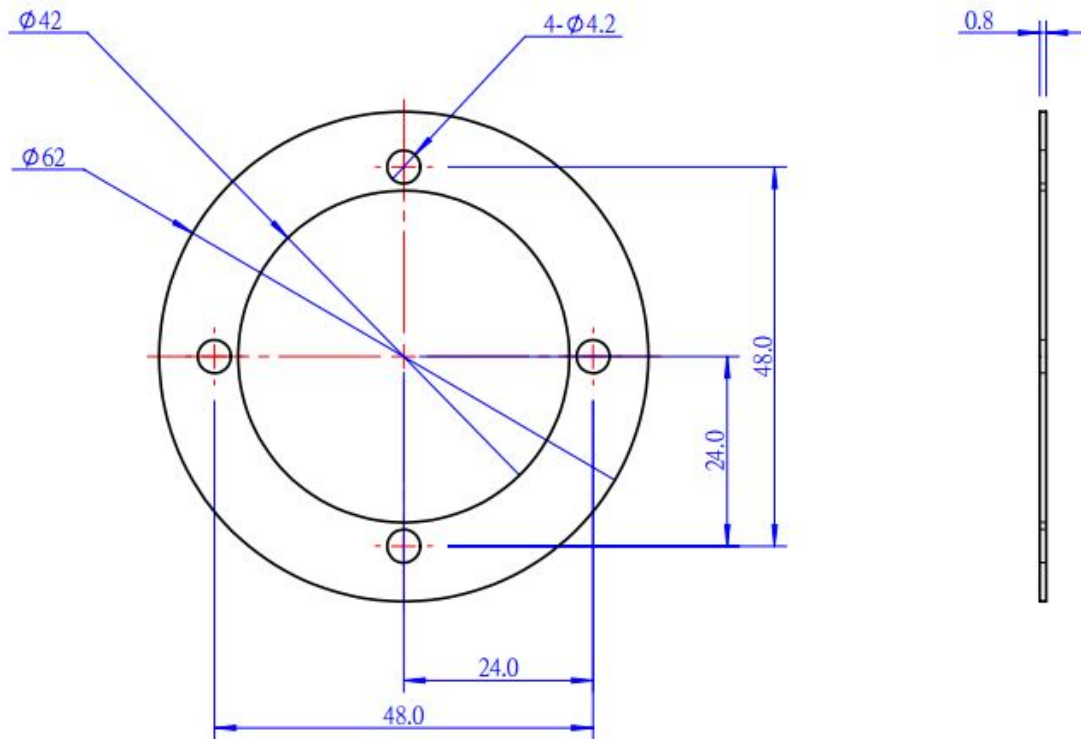
Timing Pulley Slice 90T-B is the new version of Timing Pulley Slice 90T-Blue. As the "dam-board" of Timing Pulley 90T, Timing Pulley Slice 90T-B can prevent the slipping of the Timing Belt when working .

Features

- Made from 6061 aluminum , 0.8mm thick, anodized surface.

- 8 Plastic Rivets included.
- Sold in pack of 4.

Size Charts(mm)



Demo

